

Dimensioning & Technical Information

XL2A

70mm long x 6mm thick with 11mm aperture for padlock.

175mm

35mm

20mm

8 x 30mm Cup Head Bolts & Nuts

150mm

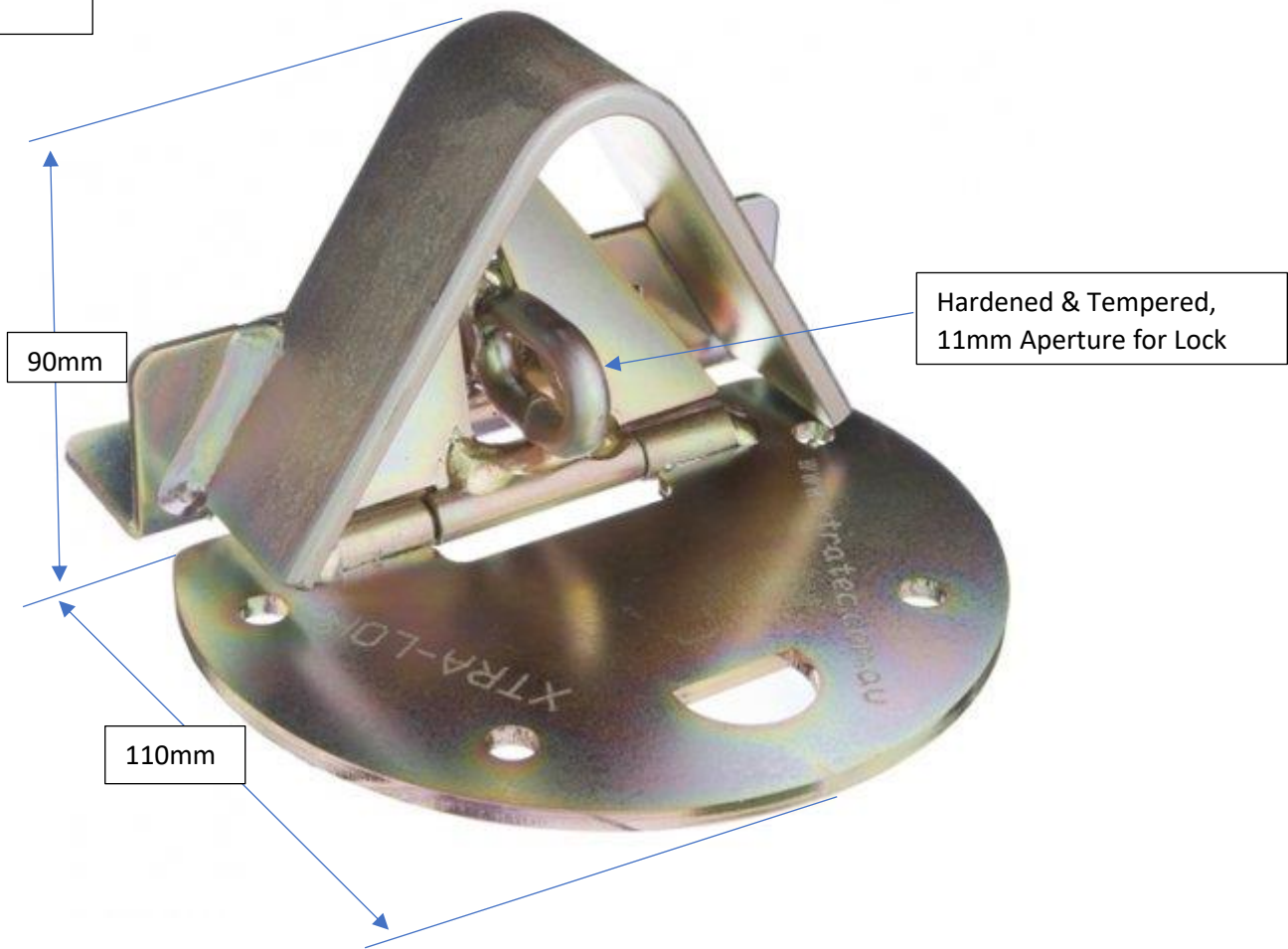
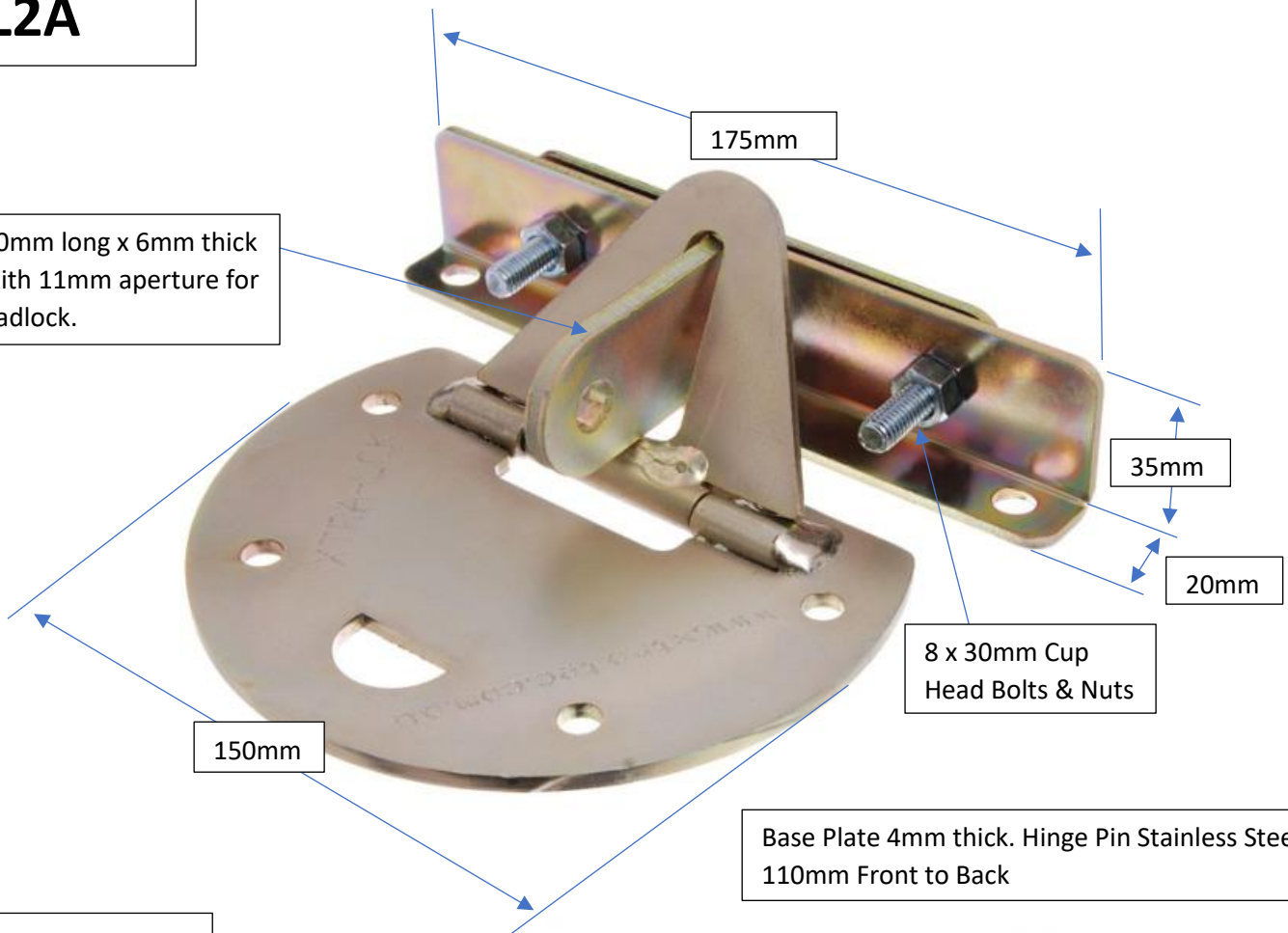
Base Plate 4mm thick. Hinge Pin Stainless Steel 110mm Front to Back

XL2A-Ext

90mm

Hardened & Tempered, 11mm Aperture for Lock

110mm



XTRA-LOK Construction / Technical information.

Base Plate ie. "The floor plate that fixes to the concrete." (Also now available in Stainless-Steel)

- Designed for the best of functionality & strength. When laying flush the base plates' highest point is 10mm being the hinge.
The hinge has a 304 grade stainless steel hinge pin for strength & durability.
- The base plate is made from 4mm steel plate and is 150mm in diameter & zinc treated to prevent corrosion.
- The base plate has 4 fixing holes for concrete fasteners. The holes are well spread apart, to give the maximum pull out strength of the fasteners.

Internal Door Bracket ie. (Also now available in Stainless-Steel)

"The bracket that bolts to the inside of the Roller Door, (Internal XTRA-LOK)"

- The internal door bracket is made from 3mm & 6mm steel.
- It has been made with the purpose to fit commercial & domestic doors.
- It has 4 holes to accommodate the 8mm cup head fixing bolts.
- It comes with a reinforcing plate that fits to the outside of the roller door to give added strength to the unit. The reinforcing plate has 2 square holes punched in it to accommodate the squares of the cup head bolts.
- All quality welded & zinc treated to prevent corrosion.

External Door Bracket ie. (Also now available in Stainless-Steel)

"The bracket that bolts to the outside of the Roller Door, (XL2A-Ext External XTRA-LOK)"

- The external door bracket is made from 3mm & 5.5mm steel, and now with a toughened 8mm Herc Alloy shackle for the padlock to attach to.
- It has been made with the purpose to fit commercial & domestic doors.
- It has 4 square holes to accommodate the 8mm cup head fixing bolts.
- It has a 5.5mm thick shroud to give higher protection.
- All quality welded & zinc treated to prevent corrosion.

The Concrete fixings. (Also now available in Stainless-Steel)

- The concrete fixings are hardened and 50mm long.
- Each fastener has more hold down than a 10mm sleeve anchor.
- Masonry Drill bit size 6.5mm.

Although XTRA-LOK's were not designed to stop a ram-raid, they have stopped numerous when installed 2 to a door, without one floor plate lifting. All have done more than what was asked of them.

See ram-raid attempt on a roller door, in the XTRA-LOK brochure in the products pages.